



## Nalanda Collage – Colombo 10

### Grade 09 – Third Term

### Unit Test 27

### Mathematics

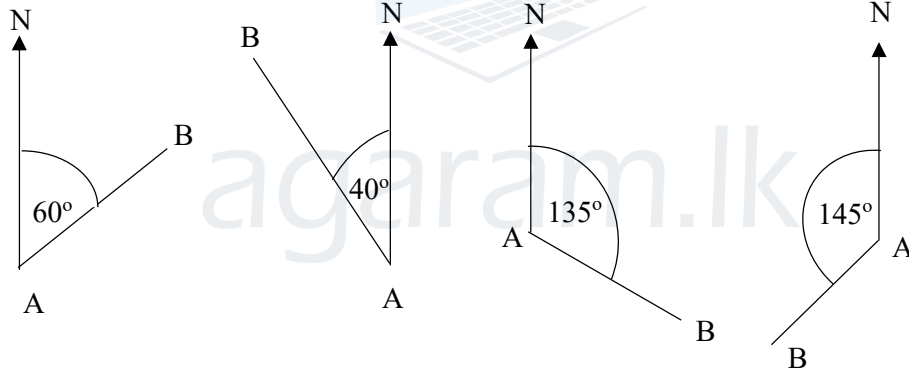
### Scale Diagrams

$1\frac{1}{4}$  hours

#### Part I

Answer all the questions.

- Mention 3 characteristics of bearing.
- Mention the location of 4 sub directions using bearing.
- Find the bearing of B from A in following figures.



- Using a protractor to measure the angles, illustrate each of the following bearings by drawing a figure.

- Bearing of Q from P is  $072^\circ$
- Bearing of Y from X is  $192^\circ$

- Bearing of B from A is  $140^\circ$
- Bearing of N from M is  $275^\circ$

- Find the actual length represented by 1cm according to the given scales.

i) 1 : 20 000

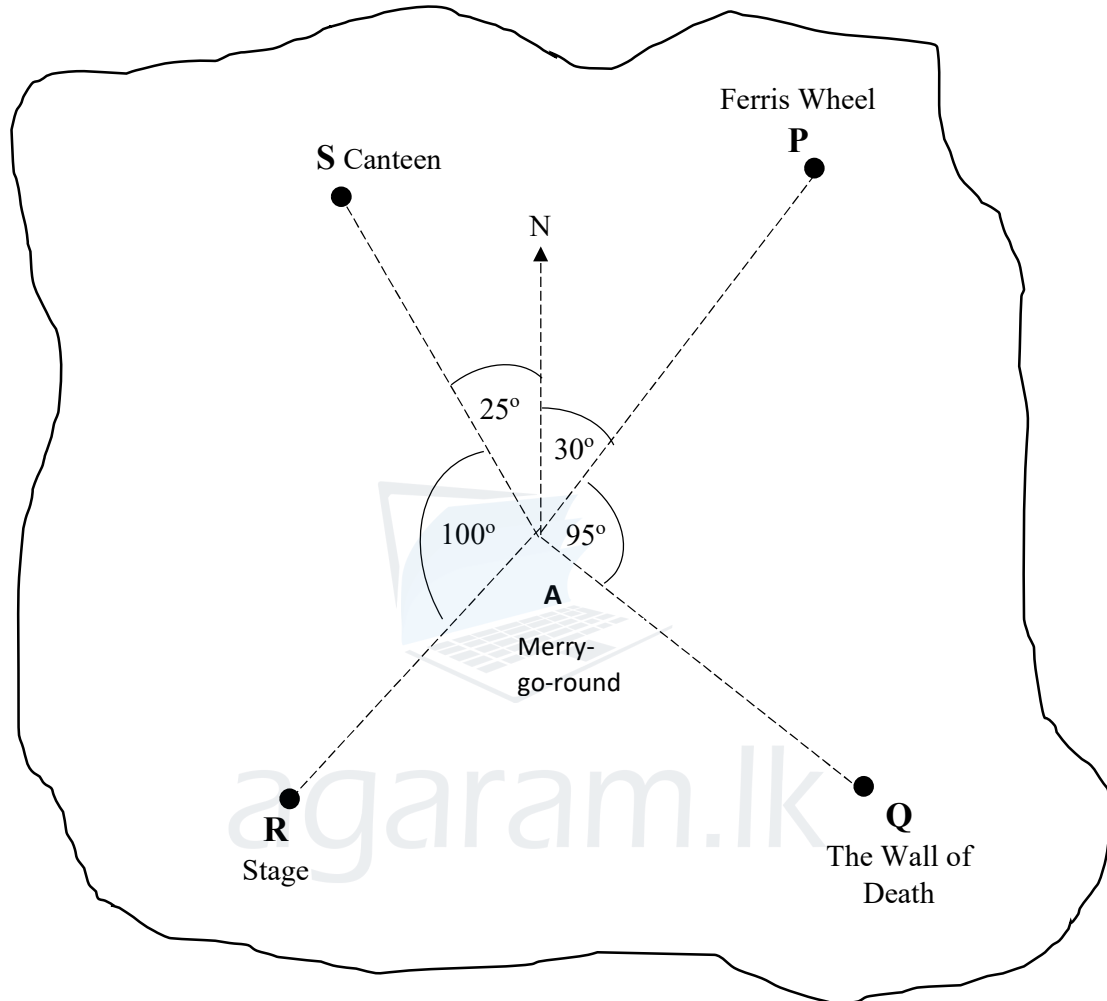
ii) 1 : 500 000

iii) 1 : 500

iv) 1 : 1 000 000

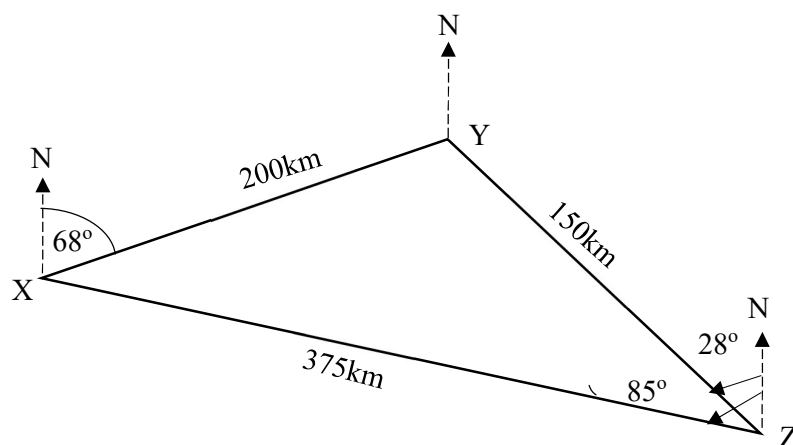
**Part II**

1. Following sketch shows a rough plan of a carnival.



Describe the location of each place using bearing from merry-go-round.

2. In following diagram X,Y,Z are 3 harbors and a ship is to travel to those harbors.

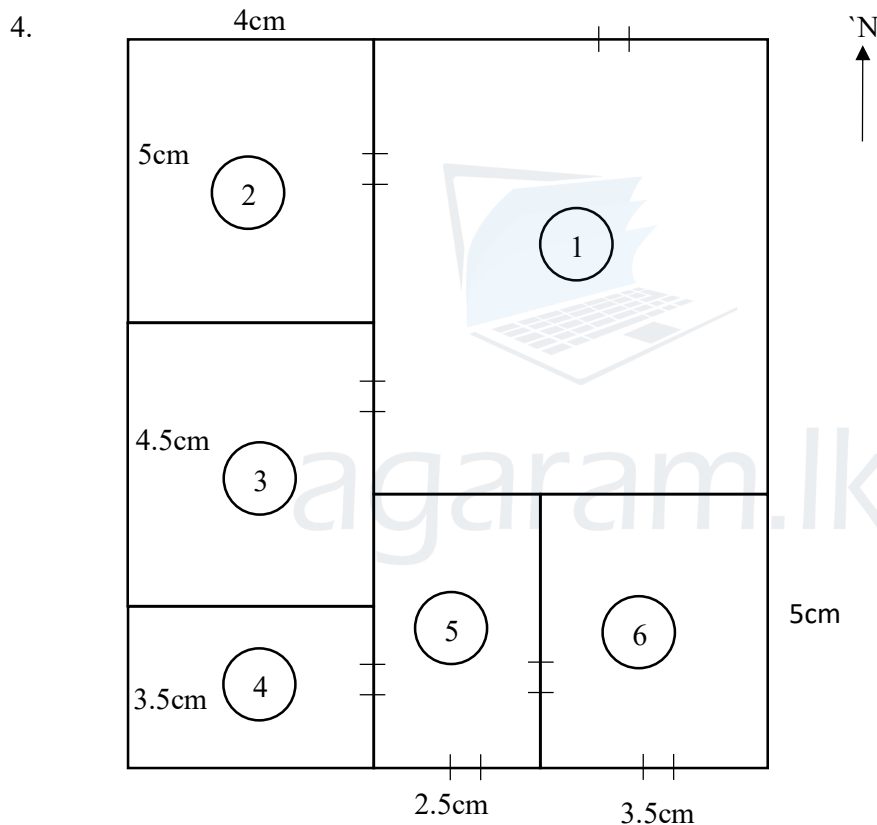


If the ship started the journey from X and reached Y. Then sailed to Z and again directly sailed towards X, describe the route of the ship.

3. A pilot of a certain airplane which is scheduled to fly from P has been instructed to fly 250km on a bearing of  $078^\circ$  and there onwards 150km on a bearing of  $170^\circ$  and reach Q. Sketch the above given route of the airplane.

i) By drawing a scale diagram choosing a suitable scale find,

- Bearing of Q from P
- Distance between P and Q
- Bearing of P from Q



The floor plan of a house to be constructed which is drawn to scale is shown above.

If the breadth of (2) is 4m;

- Find the scale of the scale drawing
- Find actual length and breadth of (1)