



Nalanda Collage – Colombo 10

Grade 09 – Third Term

Unit Test 23

Mathematics

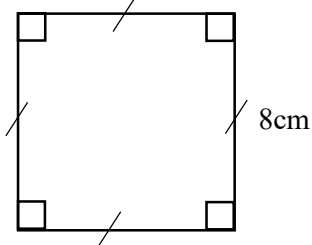
Area

1 $\frac{1}{4}$ hours

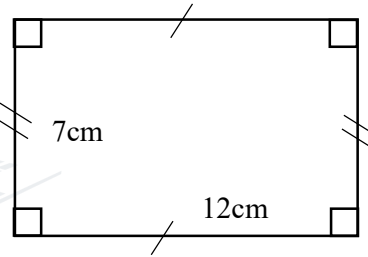
Part I

Find the area of following figures.

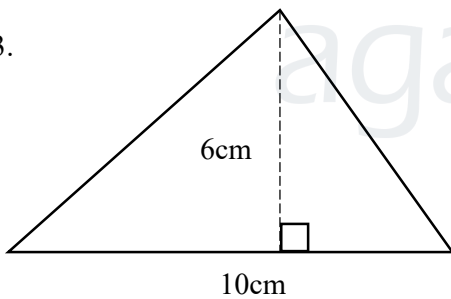
1.



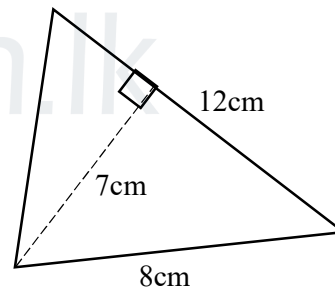
2.



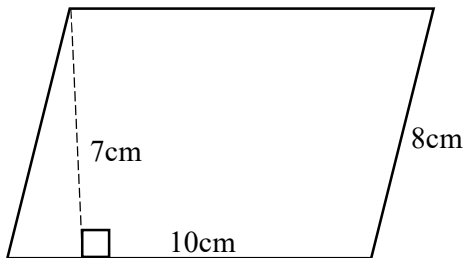
3.



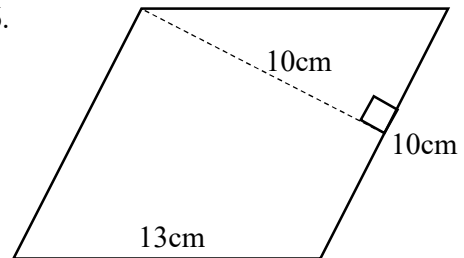
4.



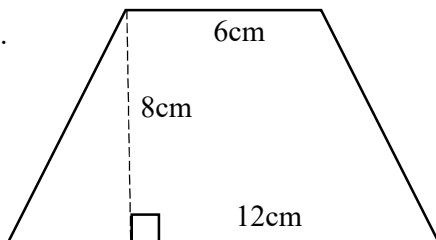
5.



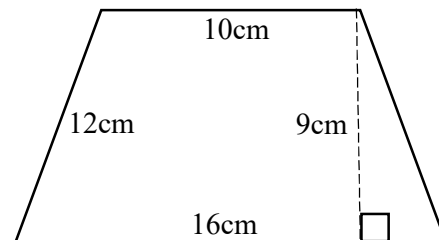
6.



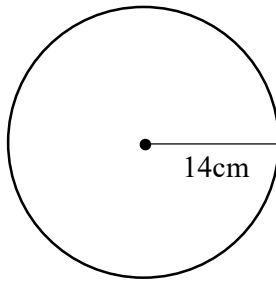
7.



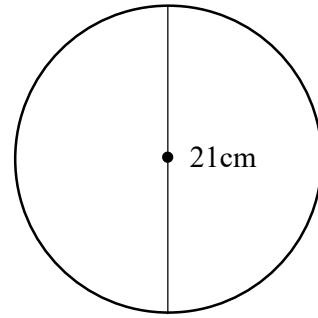
8.



9.

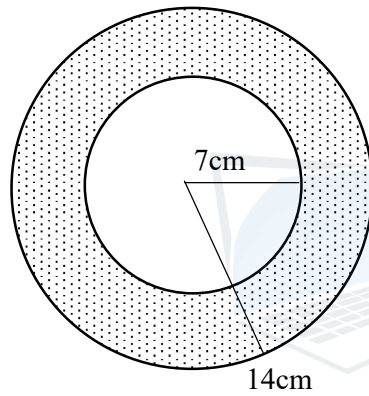


10.

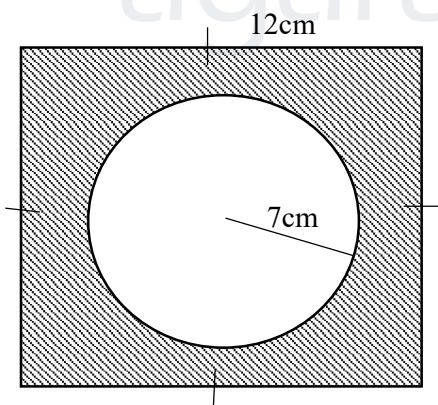


Part II

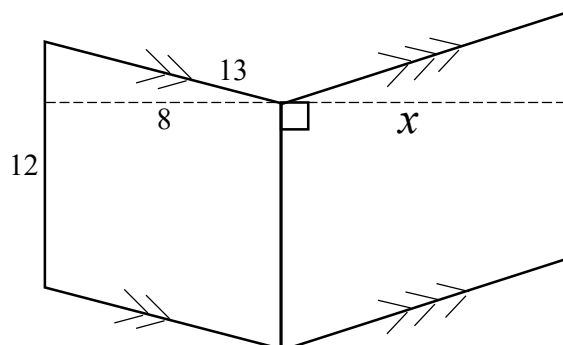
1. Find the area of the shaded part.



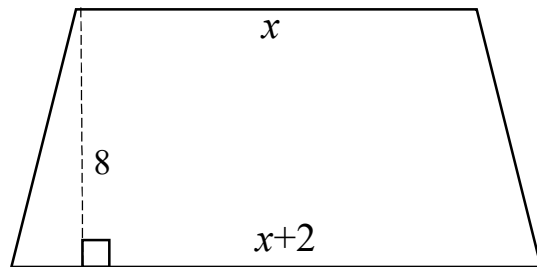
2. Find the area of the shaded part of the given figure.



3. If area of one parallelogram is 2 times of the other parallelogram find X .



4. If area of the given Trapezium is 104cm^2 find the length of X .



agaram.lk