

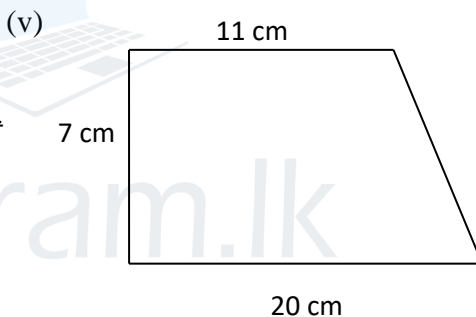
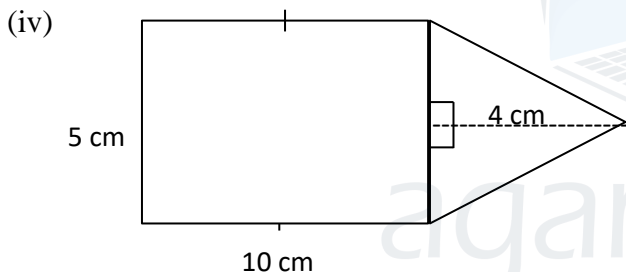
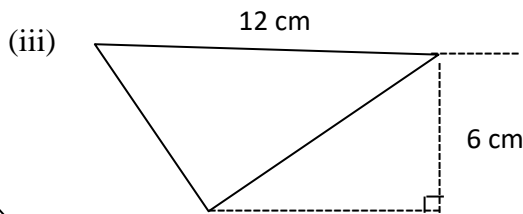
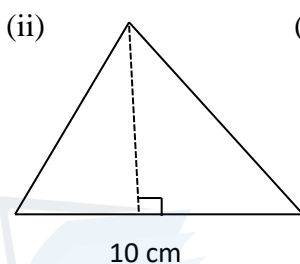
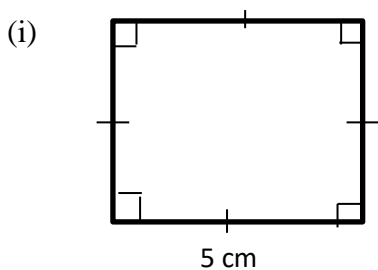


Nalanda College – Colombo 10
3rd Term Test
Mathematics – 2020
Grade - 8

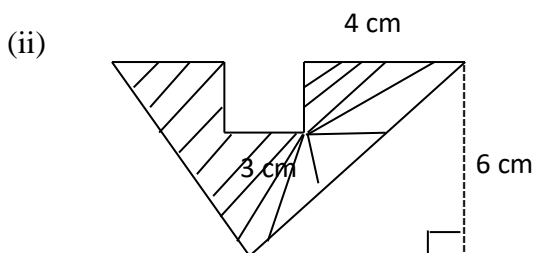
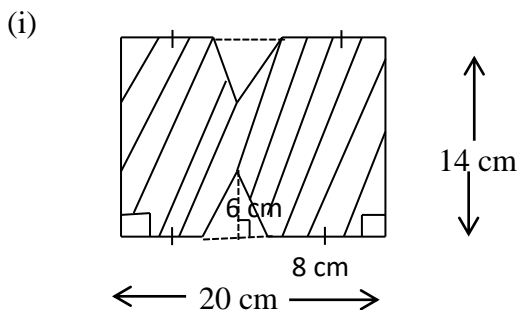
Time – 01 hours

20 – Area

(1) Find the area of each plane figure given below.



(2) Find the area of the shaded section.

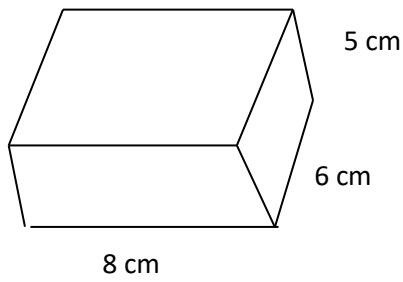


Agaram.LK - Keep your dreams alive!

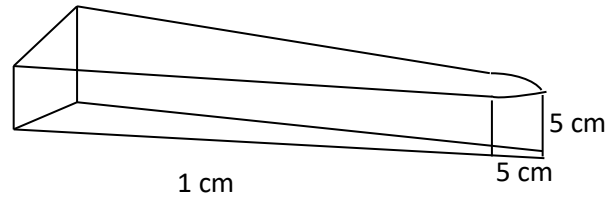
Agaram.LK - Keep your dreams alive!

(3) Find the surface area of the cuboid shaped solids.

(i)



(ii)



(4) The length , breadth and height of a cuboid shaped closed box is 10cm, 8 cm and 5 cm respertively.

(i) Draw a sketch of the box.

(ii) Find the surface area of the box.



agaram.lk