

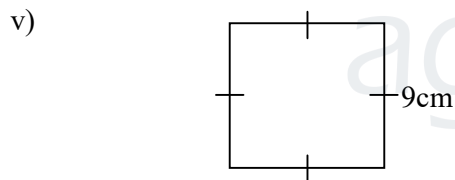
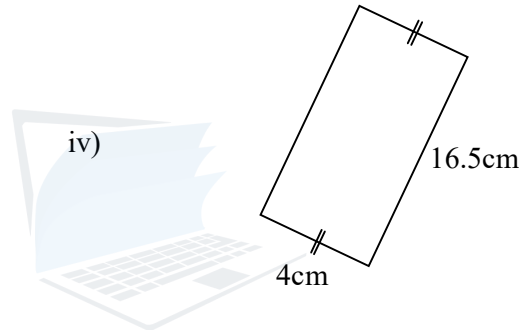
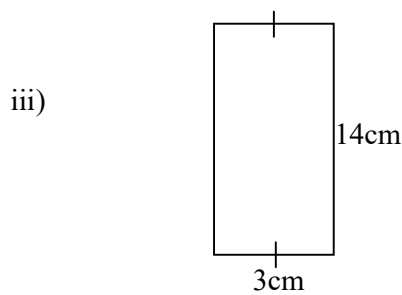
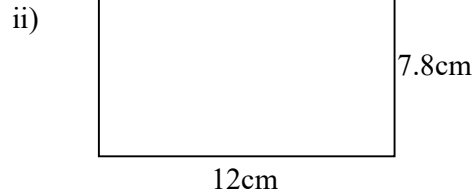
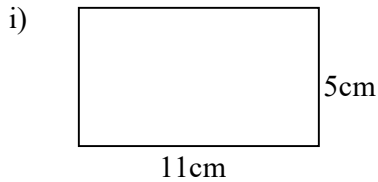


Grade 7

Mathematics

Unit : 17 - Area

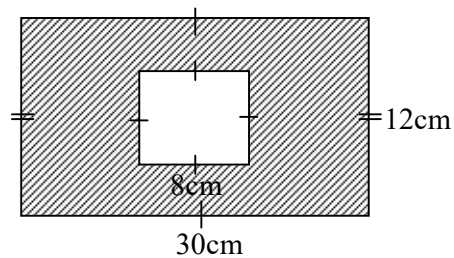
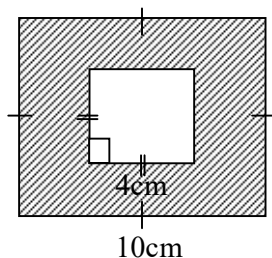
(1) Find the area of the laminas given below.

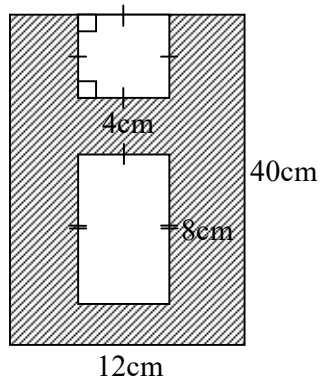


(2) The length of a rectangular plot of land is 100m and breadth is 50m.

- Find the area of the land.
- If there is a land with same area, write a suitable length and breadth of that.
- Draw a figure and mark the length and breadth.

(3) Find the area of the shaded region in each of the following figures.





(4) Find the area of each figure

